

Basic-Graphic and Control unit for mobile machines



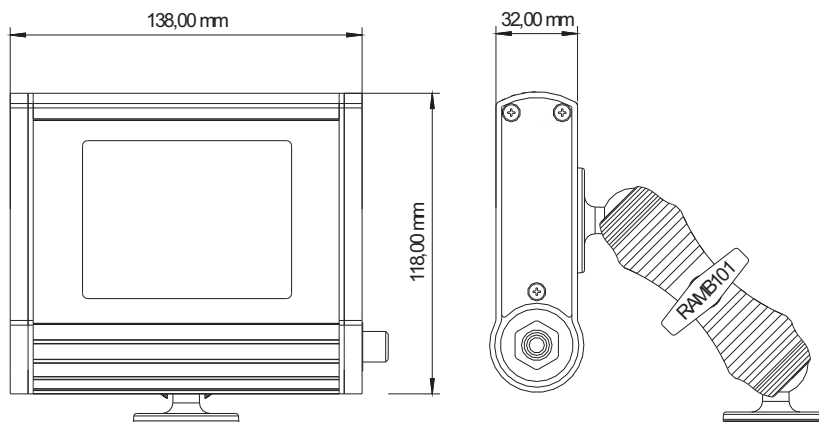
The HHI-10 modules are especially adapted for the integration of small sized and simply graphic modules in vehicles and mobile working machines of the municipal, construction and agricultural technology as well as commercial vehicle superstructures. Because of the integrated touch operation the modules afford an low-cost, compact and forward-looking operation and monitoring station. The enclosed PLC admits the applikation as a central control-unit together with decentral I/O-units of the iblos-system.

HHI-10

processor	16-bit , 96MHz High-Performance CPU with PLC
internal memory	8MByte RAM, 8 Mbyte Flash, F-RAM with real-time clock
external memory	SD-Card, USB-Stick
graphic	function-tool for control the graphic include the PLC
display/touch	82x62mm monochrom touch panel 320x240 pixel, -20 ... +60°C, 80 cd/m ² , transfective Note: same design with 122x92mm available
Ethernet	10/100MBit, TCP/IP-stack

Characteristics

- compact construction
- 1/4-VGA (320x240 pixel) black-white graphic
- daylight capable
- integrated touch operation
- up to 2 CAN2.0B - interfaces to connect on control units
- PLC CoDeSys with CANopen Master and SAE J1939
- Ethernet-connection, SD-Card and USB-slot for flexible memory extension
- Internet diagnostics via high secure VPN-Connection
- for RAM B101 mounting



iblos is a registered trademark of IBL-hydronic